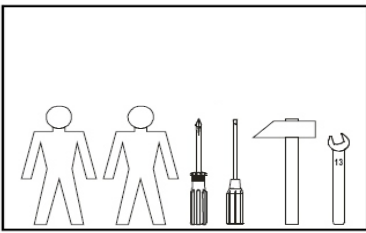
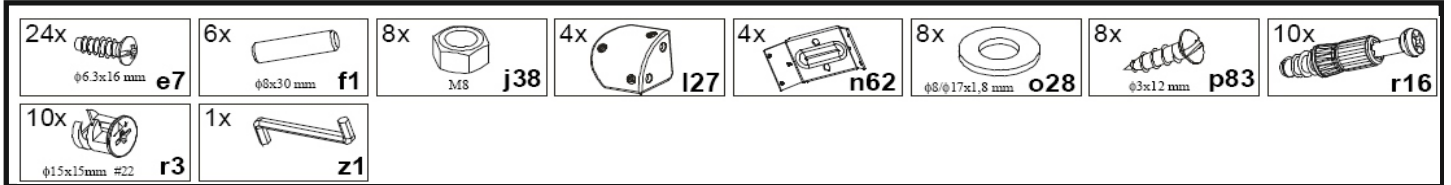
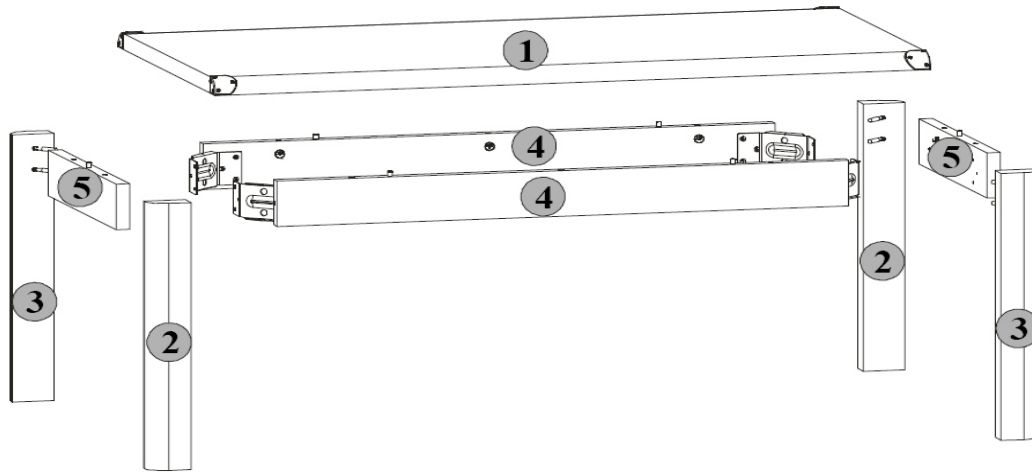


INDIANA

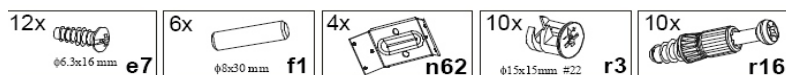
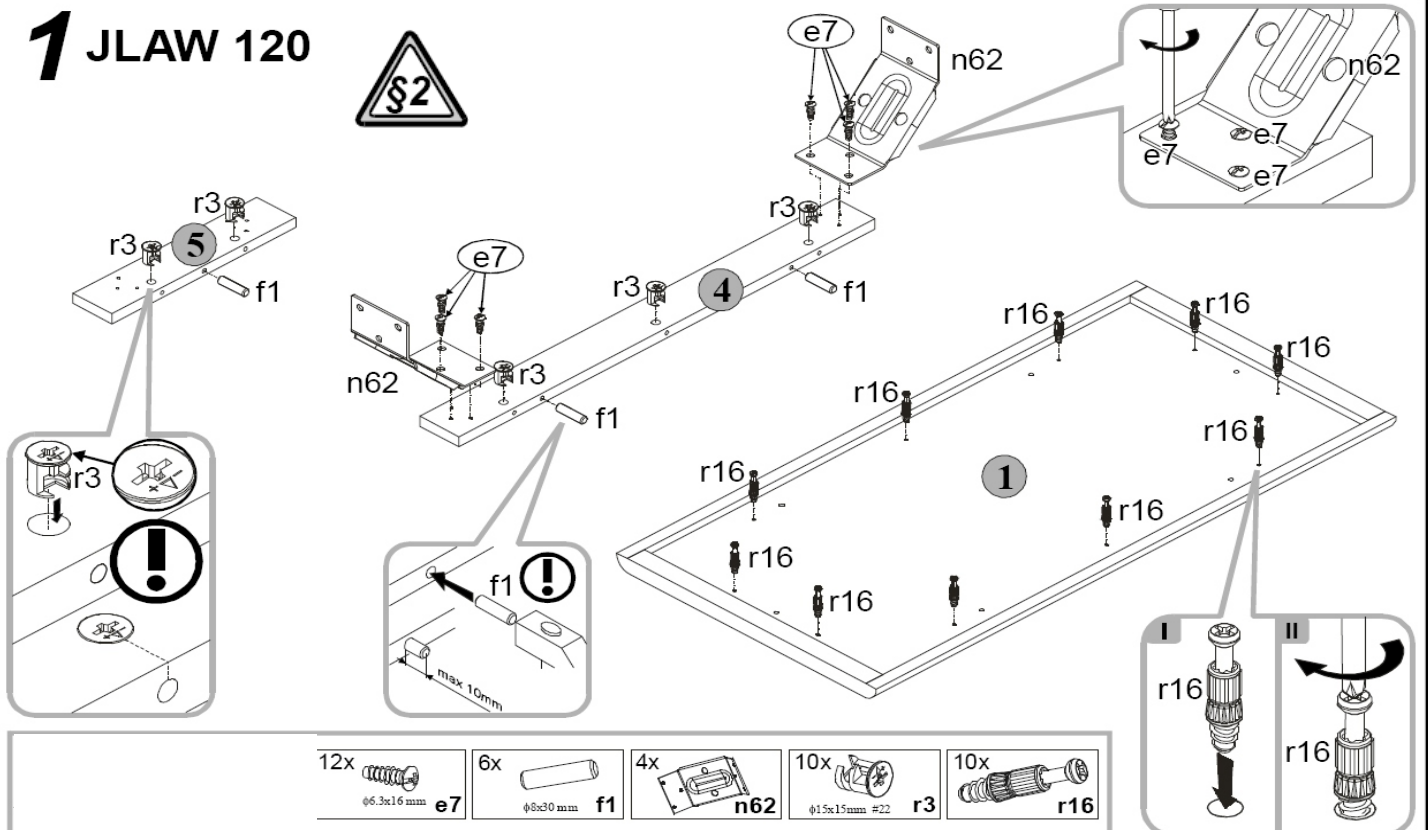
JLAW 120



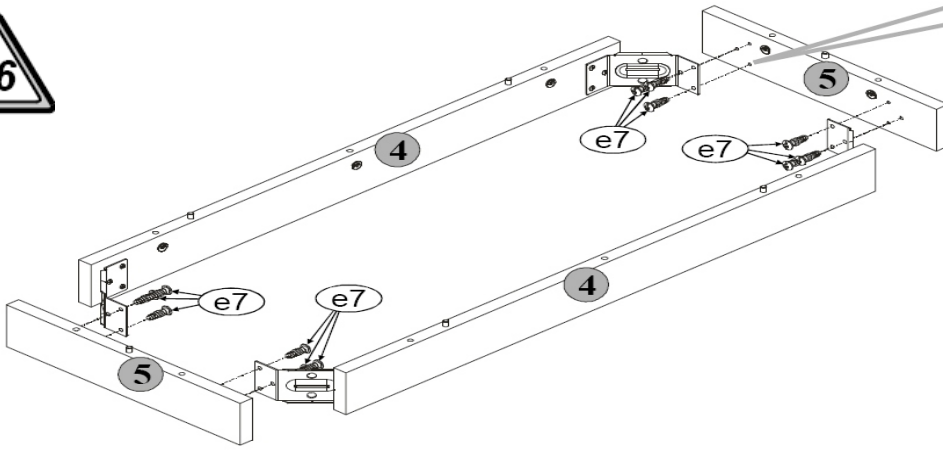
A	C	B	D
1	1200x600	S31-215	1/2
2	530x70	S31-409	2/2
3	530x70	S31-410	2/2
4	960x90	S31-411	2/2
5	424x90	S31-412	2/2




1 JLAW 120

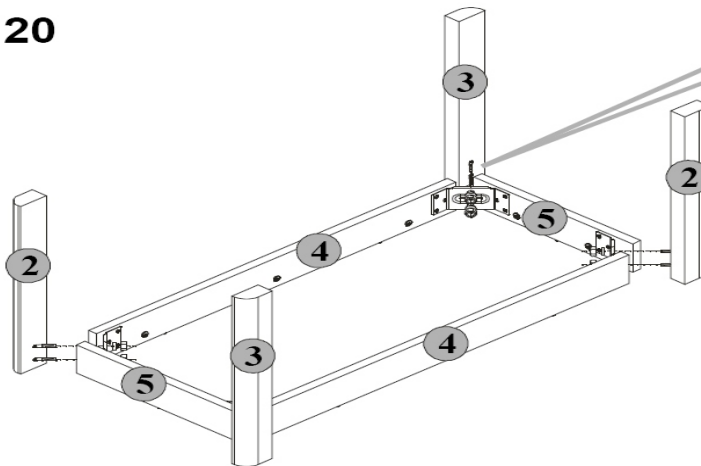


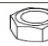

2 JLAW 120



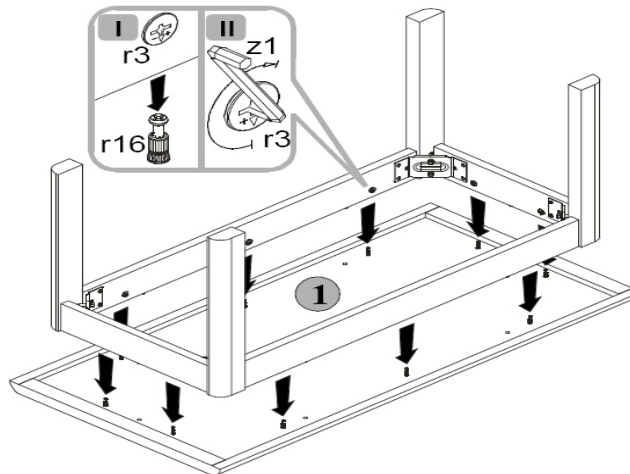
12x  $\phi 5.3 \times 16 \text{ mm}$ e7


3 JLAW 120



8x  M8 j38 8x  $\phi 8 \times 17 \times 1.8 \text{ mm}$ o28

4 JLAW 120



1x  z1

5 JLAW 120

